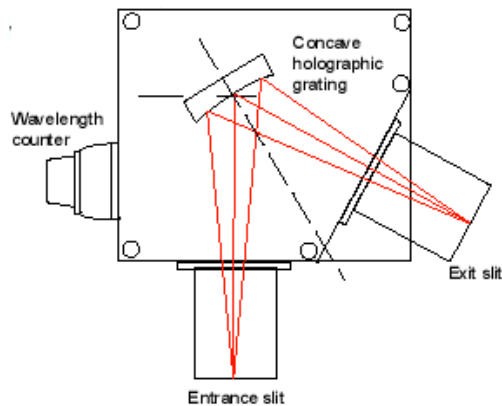




H10-61 Monochromators

The "Micro trouble-free" 100 mm Monochromator from Jobin Yvon

The H10-61 Monochromator series are simply the most trouble-free monochromators in the world, because they contain just one optical element, an aberration-corrected holographic grating. They are compact, robust, and easy to setup. These monochromators can be used as a part of a spectroscopic system for wavelength verification or bandpass selection at a micro price.



H10-61, an Unique design which eliminates internal mirrors



H10-61 Monochromator

Specifications

Focal length	100 mm
Aperture	F/3.5
Stray light	10 E-5 at 8 bandpass from 632.8 nm laser line
Wavelength counter	Digital, direct reading in nm with 1200 and 800 gr/mm grating, graduated in 0.2 nm intervals
Reproducibility	+/- 0.25 nm with 1200 gr/mm grating
Entrance/Exit slits	Fixed: 25, 50, 100 µm, 1mm; other sizes available as options

Available Gratings

Groove density	1200 gr/mm	800 gr/mm	600 gr/mm	300 gr/mm
Blazed for wavelength	250 nm 200-800 nm	300-1200 nm	400-1600 nm	800-3200nm
Linear dispersion	8 nm/mm	12 nm/mm	16 nm/mm	32 nm/mm
Accuracy	+/- 0.5 nm	+/-0.75 nm	+/- 1 nm	+/-1.25 nm

Features

- One optic ONLY
- Fully Manual
- Low cost
- Robust
- Dedicated to your application.

In the USA:

Jobin Yvon Inc
3880 Park Ave,
Edison, New Jersey,
08820 USA
Tel: (732)-494-8660
Fax: (732)-549-9309
Email: OSD@jyhoriba.com

In France:

Jobin Yvon SA
16-18 rue du Canal
91165 Longjumeau cedex
France
Tel: (33) (0) 1 64.54.13.00
Fax: (33) (0) 1 69.09.93.19

1-877-JYHoriba

China: 86-10-68313388
Germany: 89/46.23.17-0
Italy: 2/57.60.30.50
Japan: (81)3-5823-0140
U.K.: 020-8204-8142

P/N : OSD-0015 REV.A