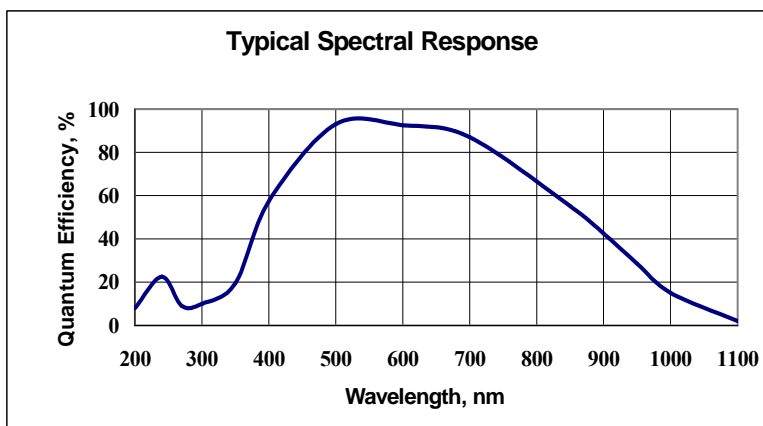


Symphony

1024 x 128 Thermoelectric Back Illuminated CCD Detector

High Efficiency VIS-NIR Detector for Small Slit Height Spectroscopic Applications

The exceptional quantum efficiency of the Jobin Yvon Back Illuminated 1024 x 128 CCD makes this detector ideal for extremely low level signal acquisitions of Visible and NIR spectroscopic applications. Better suited for emission spectroscopy where peaks are narrow, this detector can show etaloning effects with broad spectral bands found in Raman and Fluorescence applications. The quality of this chip is comparable to the 1024 x 256 BIVS in a smaller format at a reduced cost. This detector is the best choice for fast acquisitions with a maximum spectral rate of 450 Hz.

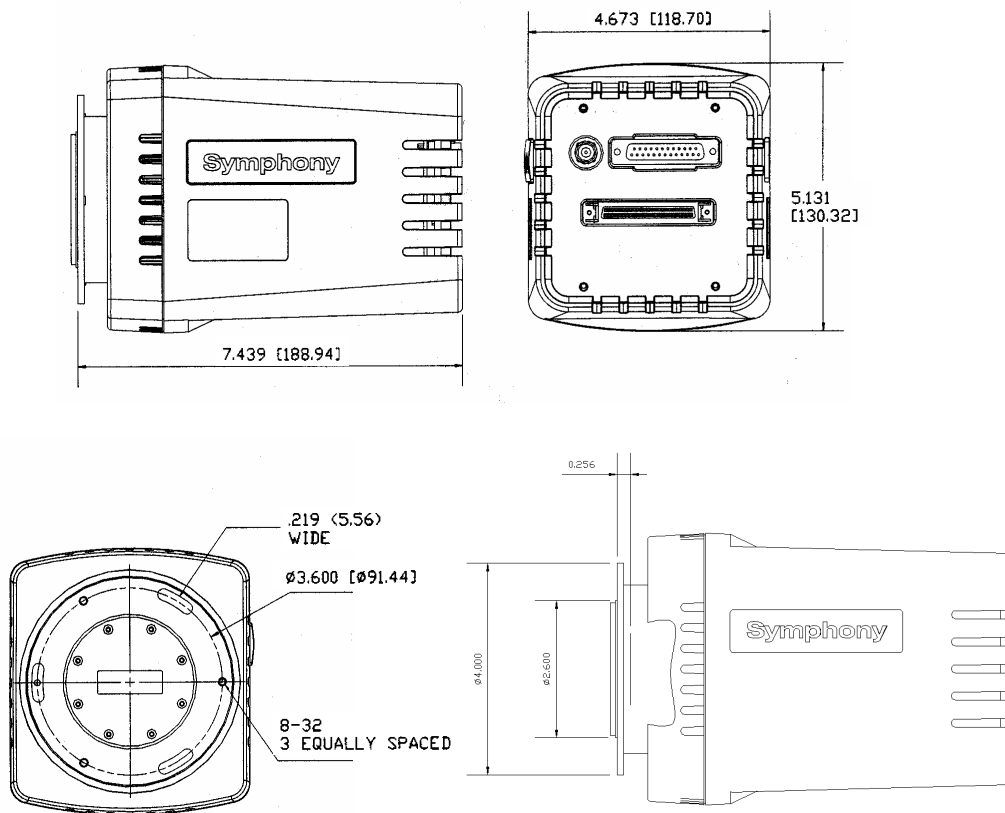


Features	Benefits
Scientific Grade 1 CCD	Ideally suited for low light level detection in a variety of spectroscopic applications
Back Illuminated CCD	Highest QE for greatest sensitivity
4 Stage Thermoelectric Cooling	Low dark signal operation for extended integration times without the need for liquid nitrogen
Excellent Linearity	Increased accuracy of data over the full dynamic range
Software Selectable Scan Rates	Optimize an experiment for the best combination of speed and sensitivity
Ethernet Connection to Host PC	Standard, easy to use interface with 100% data integrity
HORIBA Jobin Yvon's SynerJY™ Software	Complete control of a Symphony CCD and HORIBA Jobin Yvon Spectrograph system with full analysis capabilities
LabVIEW VIs and SDK Available	Flexible software to integrate a Symphony CCD into existing apparatus or as an OEM component

Specifications				
CCD Format		1024 x 128, Back Illuminated, Scientific Grade 1		
Pixel Size		26 μm x 26 μm		
Image Area		26.6 mm x 3.3 mm, 100% Fill Factor		
Cooling System		4 Stage Thermoelectric Cooling		
		Minimum	Typical	Maximum
Readout Noise	20 kHz		5 e ⁻ rms	8 e ⁻ rms
	1 MHz		20 e ⁻ rms	25 e ⁻ rms
Pixel Well Capacity		300 ke ⁻	500 ke ⁻	
Register Well Capacity			1000 ke ⁻	
Dark Current			0.004 e ⁻ /pixel/s	0.01 e ⁻ /pixel/s
Nonlinearity		< 0.4 % at 20 kHz scan rate < 1 % at all other scan rates		
Scan Rates		Software Selectable from 20 kHz to 1 MHz		
Software Selectable Gains		5 Software Selectable Gains		
Dynamic Range		16 bits		
Vertical Shift Rate		48 μs , 24 μs , 8 μs ¹		
Maximum Spectral Rate	20 kHz	17 Hz		
	1 MHz	450 Hz ^{1,2}		

Specifications subject to change without notice.

Mechanical Dimensions



Units: Inches (mm)

Ordering Information:

CCD-1024x128-BIVS-STE Super Thermoelectric Cooled CCD System

Notes:

1 CCDs are guaranteed to have full Charge Transfer Efficiency at our standard shift rate of 48 μ s. At faster shift rates, a decrease in CTE may be observed

2 Highest Spectral rates are achieved when using the 1MHz ADC, a Vertical Transfer Time of 8 μ s, and no mechanical shutter.