



### AFW-C6P & AFW-C6PM

#### A six position Filter Wheel:

In spectroscopy, filter wheels are mainly used for the following purpose: (a) for order sorting filters on a spectrometer, (b) for signal attenuator neutral density filters, and (c) for a wavelength selection with broad bandpass filters.

The AFW-C6P and AFW-C6PM are general purpose six-position filter wheels designed to enhance the capabilities of your Jobin Yvon spectrometer system.

The AFW-C6P has a manual rotation knob for filter selection, while the AFW-C6PM includes a motor and electronics for remote control. The AFW-C6PM is controlled through the TRIAX Series spectrometers or connected to a computer via a control box. The filter position can be selected using a hand held control unit (HandScan) or from software (SpectraMax™ for Windows®, LabVIEW or user written program.)

The filter wheel can accommodate filters up to 1" (25mm) in diameter and ½" (12mm) thick. This design allows the use of single thick filters or a stack of thin filters in each position.

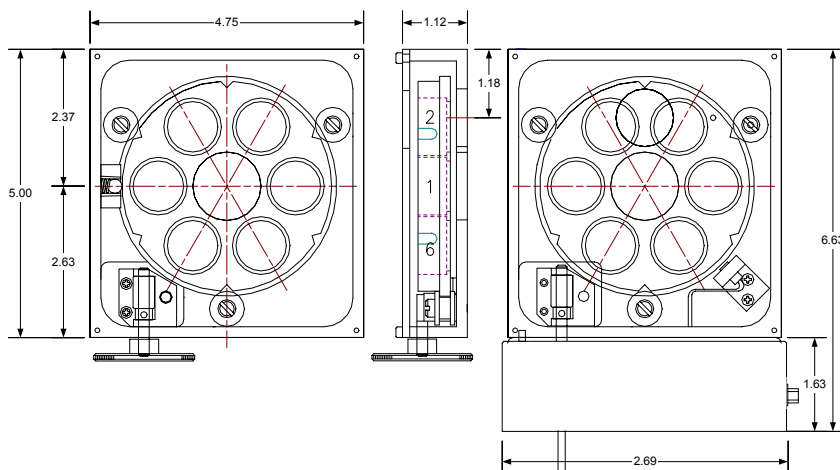
In addition, the slim design can be mated with the ACH-C enclosed optical chopper with a combined width of only 2 inches.

#### Features

- Holds six one inch filters
- Manual or computer control
- Mounts directly to LSH Lamps and TRIAX series spectrometers
- Compact design can be combined with ACH-C optical chopper



AFW-C6P(M)



#### In the USA:

Jobin Yvon Inc  
3880 Park Ave,  
Edison, New Jersey,  
08820 USA  
Tel: (732)-494-8660  
Fax: (732)-549-9309  
Email: OSD@jyhoriba.com

#### In France:

Jobin Yvon SA  
16-18 rue du Canal  
91165 Longjumeau cedex  
France  
Tel: (33) (0) 1 64.54.13.00  
Fax: (33) (0) 1 69.09.93.19

#### 1-877-JYHoriba

China: 86-10-68313388  
Germany: 89/46.23.17-0  
Italy: 2/57.60.30.50  
Japan: (81)3-5823-0140  
U.K.: 020-8204-8142

P/N : OSD-0011 REV.A