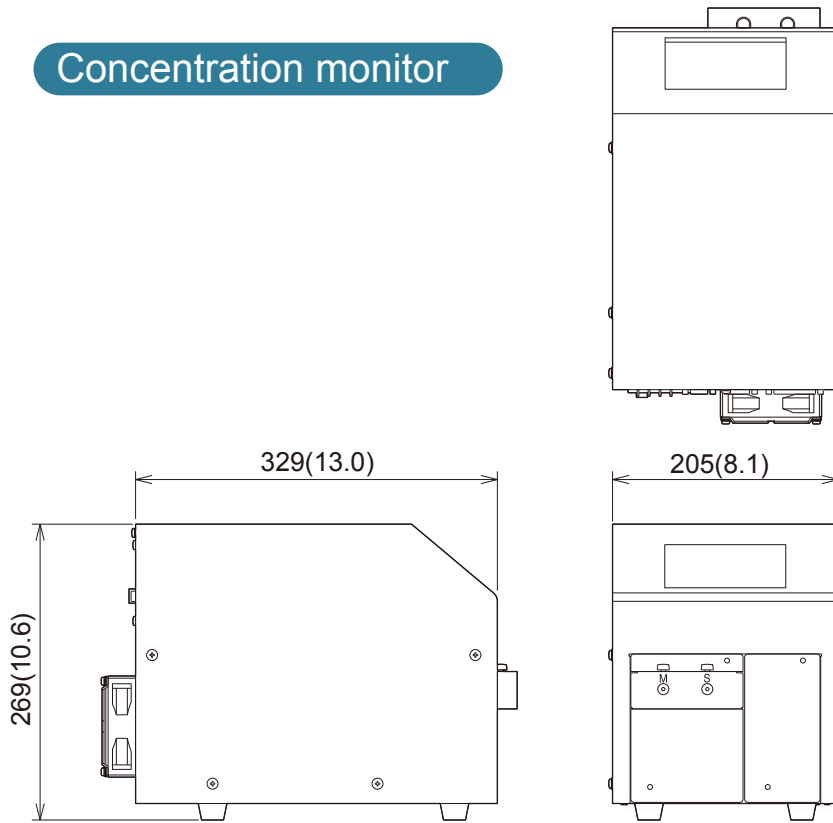
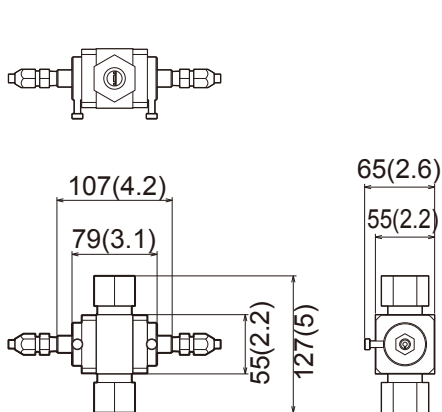


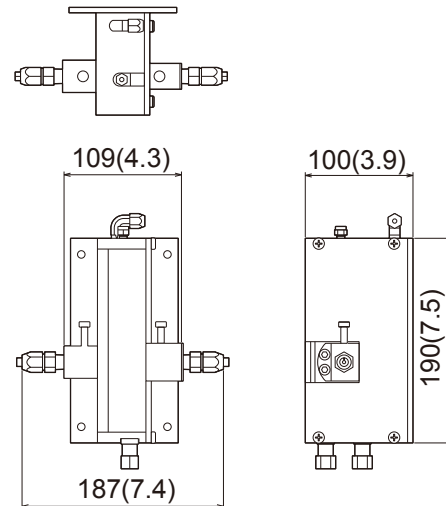
Concentration monitor



Inline cell



Cell unit



(Unit: mm)