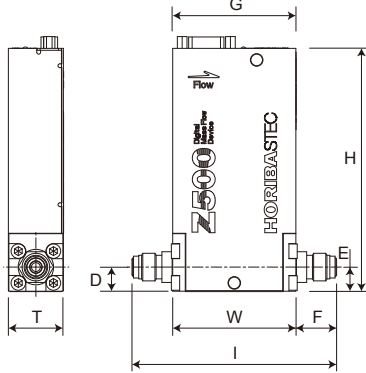
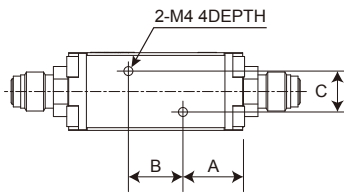


► VCR male type

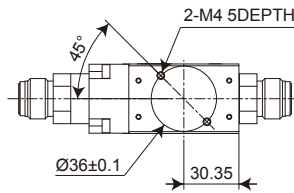


Model	Size	Fittings	H	T	W	I	A	B	C	D	E	F	G	
SEC(SEF)-Z512KX	1/4inch	4CRB	126	28.5	63.8	106	21.9	20	15	12.7	12.7	21.1	63.8	
SEC(SEF)-Z512(MG)X		4CRL				124								
SEC(SEF)-Z522(MG)XN		4CRE				156								
SEC(SEF)-Z532MGX(N)	1/2inch	8CRS	139	38.3	70.4	132	Please refer to the bottom view.				18.5	18.5	29	63.8
SEC(SEF)-Z542MGX(N)		8CRJ			150.4									
		8CRG			177									
SEC(SEF)-Z552MGX	1/2inch	8CRJ	148.5	49	92.4	150.4	Please refer to the bottom view.				22	22	29	78
SEC(SEF)-Z562MGX		8CRG				177								
SEC(SEF)-Z514KX	1/4inch	4CRB	126	28.5	63.8	106	21.9	20	15	12.7	12.7	21.1	63.8	
SEC(SEF)-Z514MGX		4CRL				124								
SEC(SEF)-Z524MGXN														
SEC(SEF)-Z534MGX(N)	1/2inch	8CRS	150	38.3	70.4	132	Please refer to the bottom view.				18.5	18.5	29	63.8
SEC(SEF)-Z544MGX(N)		8CRJ			150.4									
		8CRG			177									
SEC(SEF)-Z554MGX	1/2inch	8CRJ	158.5	49	92.4	150.4	Please refer to the bottom view.				22	22	29	78
SEC(SEF)-Z564MGX		8CRG				177								
SEC(SEF)-Z517KX	1/4inch	4CRL	126	28.5	81.8	124	21.9	20	15	12.7	12.7	21.1	80.8	
SEC(SEF)-Z517MGX														
SEC(SEF)-Z527MGXN														
SEC(SEF)-Z537MGX(N)	1/2inch	8CRS	145	38.3	82.6	132	Please refer to the bottom view.				18.5	18.5	29	81.3
SEC(SEF)-Z547MGX(N)		8CRJ				150.4								
SEC(SEF)-Z557MGX	1/2inch	8CRJ	159.3	49	92.4	150.4	Please refer to the bottom view.				22	22	29	85.5
SEC(SEF)-Z567MGX														

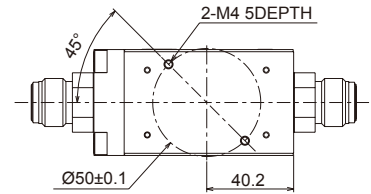
Bottom view



SEC(SEF)-Z51_KX/Z51_(MG)N/Z52_(MG)XN

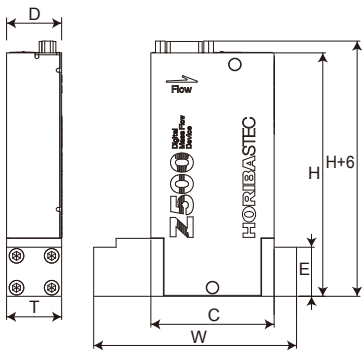


SEC(SEF)-Z53_MGX(N)/Z54_MGX(N)

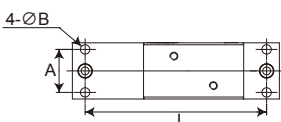


SEC(SEF)-Z55_MGX/Z56_MGX

► Surface mount type



Bottom view



Model	Size	Fittings	H	T	W	I	A	B	C	D	E								
SEC(SEF)-Z512KX	1.125inch	C-seal 14C3	126	28.5	105	92	21.8	4.75 *1	(63.8)	(28.5)	25.4								
SEC(SEF)-Z512(MG)X		W-seal 14W2	126	28.5	93	79.8	21.8	4.4	(63.8)	(28.5)	25.4								
SEC(SEF)-Z522(MG)XN		14W3			105	92													
SEC(SEF)-Z512KX	1.5inch	C-S-seal 24S2	126	37.6	93	79.8	30	5.5	(63.8)	(28.5)	26								
SEC(SEF)-Z512(MG)X				130						38.6	(38.6)	32.5							
SEC(SEF)-Z522(MG)X																			
SEC(SEF)-Z512KX	1.5inch	W-seal 24W2	130	39	93	79.8	30	5.5	(63.8)	(28.5)	37								
SEC(SEF)-Z512(MG)X											(38.6)	37							
SEC(SEF)-Z522(MG)X																			
SEC(SEF)-Z532MGX(N)	1.5inch	C-seal 26C3	139	38.3	107	92	30.2	5.2	(63.8)	(38.3)	31.2								
SEC(SEF)-Z542MGX(N)		W-seal 26W3		39			109	28			6.5	37							
SEC(SEF)-Z514KX	1.125inch	C-seal 14C3	126	28.5	105	92	21.8	4.75 *2	(63.8)	(28.5)	25.4								
SEC(SEF)-Z514MGX		W-seal 14W2		126	28.5	93	79.8	21.8	4.4	(63.8)	(28.5)	25.4							
SEC(SEF)-Z524MGXN			14W3			105	92												
SEC(SEF)-Z514KX	1.5inch	W-seal 24W2	130	39	93	79.8	30	5.5	(63.8)	(28.5)	37								
SEC(SEF)-Z514MGX										(38.6)	37								
SEC(SEF)-Z524MGX																			
SEC(SEF)-Z534MGX(N)	1.5inch	C-seal 26C3	139	38.3	107	92	30.2	5.2	(63.8)	(38.3)	31.2								
SEC(SEF)-Z544MGX(N)		W-seal 26W3		39			109	28			6.5	37							
SEC(SEF)-Z517KX	1.125inch	C-seal 14C3	126	28.5	105	92	21.8	4.75 *3	(63.8)	(38.3)	31.2								
SEC(SEF)-Z517MGX		W-seal 14W3																	
SEC(SEF)-Z527MGXN																			

*1: SEC(SEF)-Z522(MG)XN 4.4±0.1

*2: SEC(SEF)-Z524MGXN 4.4±0.1

*3: SEC(SEF)-Z527MGXN 4.4±0.1

Please contact HORIBA other than above table.

Unit: mm