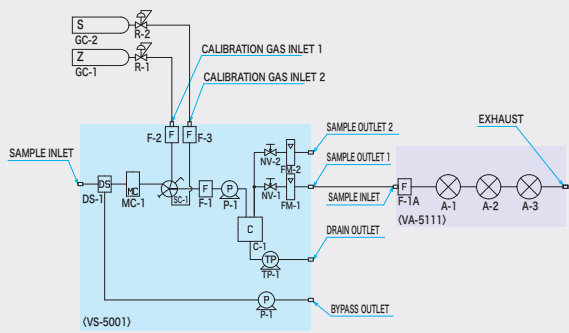
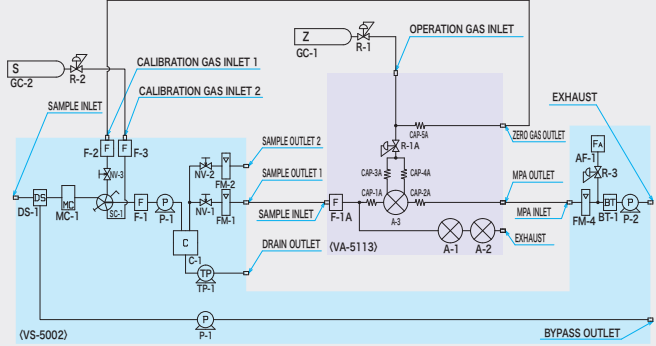


Flow sheet

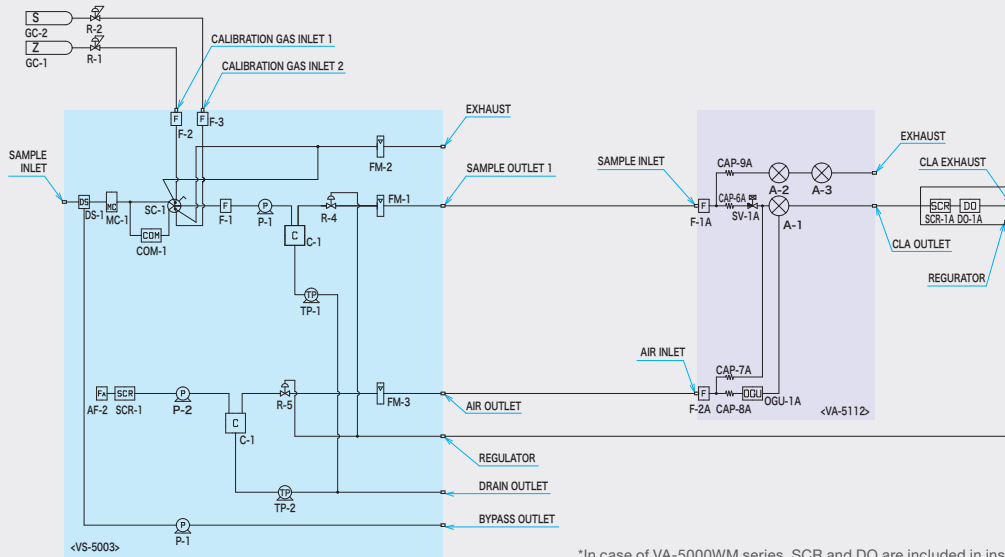
VA-5111+VS-5001



VA-5113+VS-5002

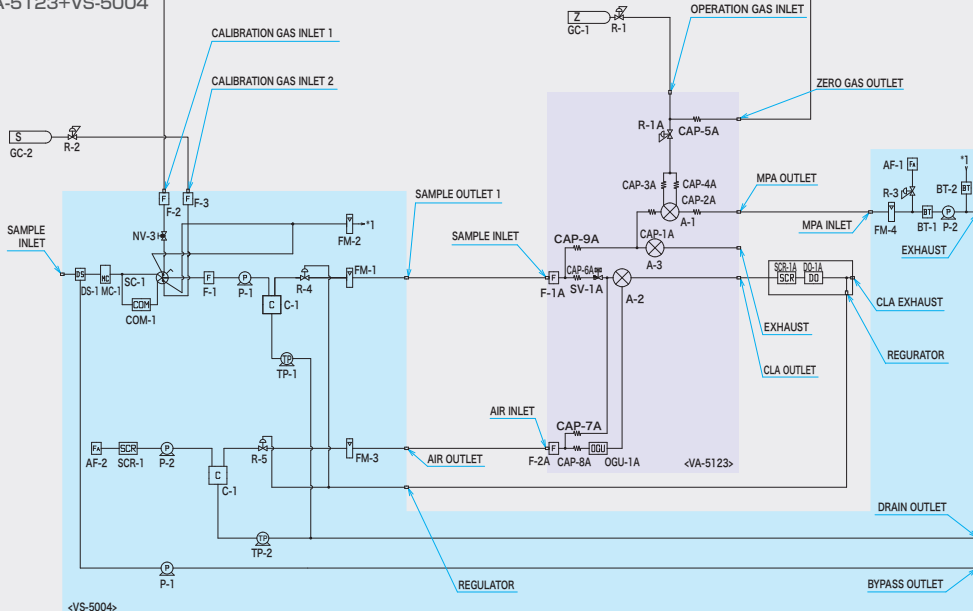


VA-5112+VS-5003



*In case of VA-5000WM series, SCR and DO are included in inside of the analyzer.

VA-5123+VS-5004



*In case of VA-5000WM series, SCR and DO are included in inside of the analyzer.

Legend

- A** : Analyzer Unit
- AF** : Air Filter
- BT** : Buffer Tank
- C** : Thermo-electric Dehumidifier
- CAP** : Capillary
- COM** : Converter
- DO** : Deoionizer
- DS** : Drain Separator
- F** : Filter
- FM** : Flowmeter
- GC** : Gas Cylinder
- MC** : Mist Catcher
- NV** : Needle Valve
- OGU** : Ozonizer
- P** : Pump
- R** : Pressure Regulator
- SC** : Selector Valve
- SCR** : Scrubber
- SV** : Solenoid Valve
- TP** : Tubing Pump