

MiCOS Accessories

All-manual xyz Stage

OSD-MI-03

- ELEMENTAL ANALYSIS
- FLUORESCENCE
- GRATINGS & OEM SPECTROMETERS
- OPTICAL COMPONENTS
- FORENSICS
- PARTICLE CHARACTERIZATION
- RAMAN
- SPECTROSCOPIC ELLIPSPOMETRY
- SPR IMAGING

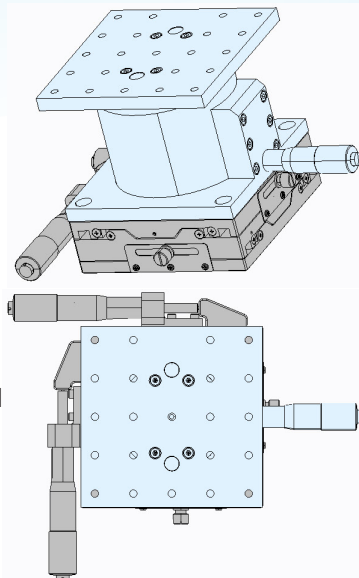
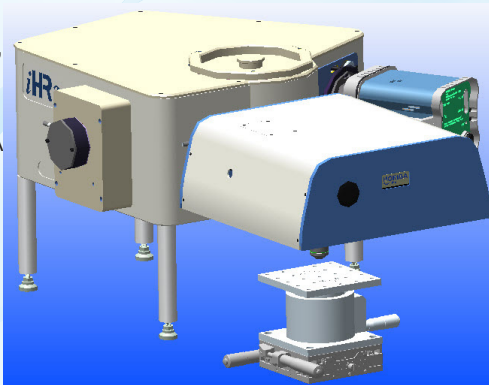
Fine-adjustment of MiCOS stage on a budget
Highest precision

Features

For lower cost, more flexibility, and better value, HORIBA Scientific is adding an all-manual xyz stage (MIC-XYZ-MAN2) as a MiCOS-compatible accessory.

The design and method of manufacture provides many advantages.

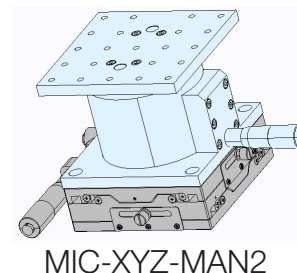
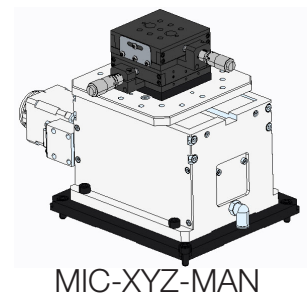
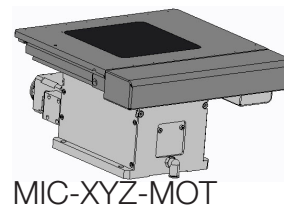
- Fewer parts than expected: The xy stage consists of a top and bottom plate only (not a stacked unit of up to four plates as is typical). No intermediate plates reduce tolerance build-up.
- Linear bearing paths are machined directly into the steel and honed for the highest possible precision.
- Ball bearings contact an extended curved surface, for greater load-capacity and precision than crossed-roller bearings.



- Horizontal z-axis actuator does not get in the way of large samples that overhang the top platform of the stage.
- The xy-actuators hug the stage to present a compact and less obstructive design.

	xy-stage	z-stage
Dimensions (mm)	120 × 120	120 × 120
Height (mm)	38	90
Travel range (mm)	40	20
Material	Steel	Steel
Resolution (µm)	10	10
Load capacity (kg)	70	8

MiCOS Stage Choices



info.sci@horiba.com

www.horiba.com/scientific

USA: +1 732 494 8660
UK: +44 (0)20 8204 8142
China: +86 (0)21 6289 6060

France: +33 (0)1 69 74 72 00
Italy: +39 2 5760 3050
Brazil: +55 (0)11 5545 1500

Germany: +49 (0)89 4623 17-0
Japan: +81 (0)3 6206 4721
Other: +1 732 494 8660