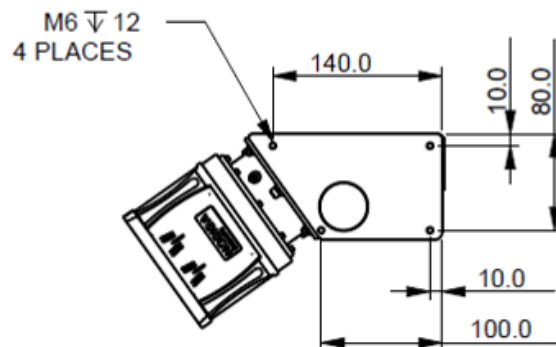
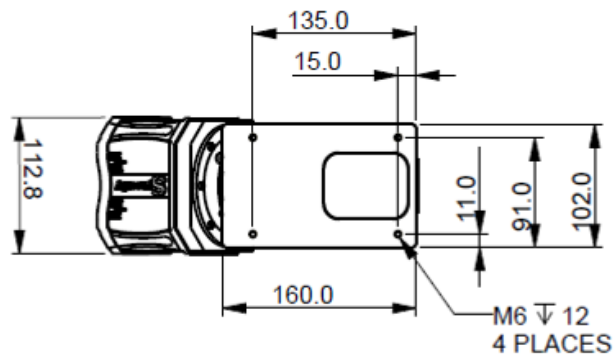
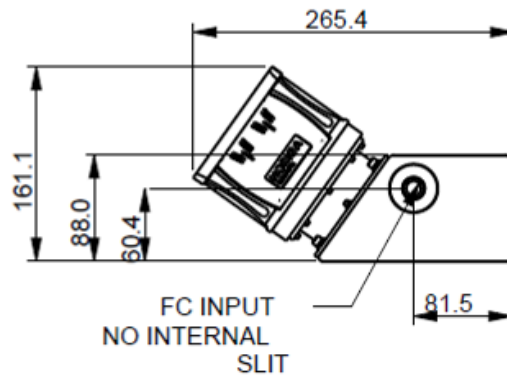
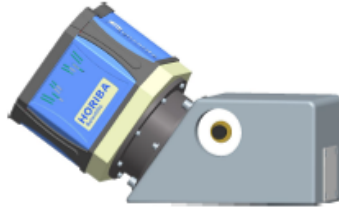


## System Mechanical Drawings



ALL DIMENSIONS IN MM

This is the F/5 version drawing