



Dual range checker for Gloss and Ultra High Gloss measurement

● Latest model Gloss Checker checks Ultra high gloss surface finishes

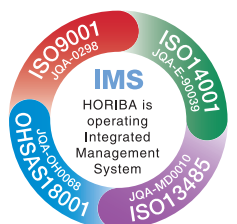
The IG-410 measures ultra high gloss surfaces such as polished metal. The meter has ten times greater measurement range than the conventional model. Even mirror finishes can be measured too.

● Compact, lightweight and detachable probe design

Weighing in at only 350g (1.3lbs), this battery operated instrument is designed to be portable. Fast and reliable measurement by simple one-touch operation. LED light sources give <100,000 hours service so there is no need to exchange these parts due to lifetime.

● Dual range extends measurement resolution in the low gloss range

The IG-410 has two user-selectable measurement ranges, depending on the sample to be measured. Low gloss samples can be measured using the 0-100 range and high gloss samples can be measured using the 0-1000 range. Two calibration plates are provided to allow the user to follow a simple one-touch calibration procedure to ensure reproducible results.



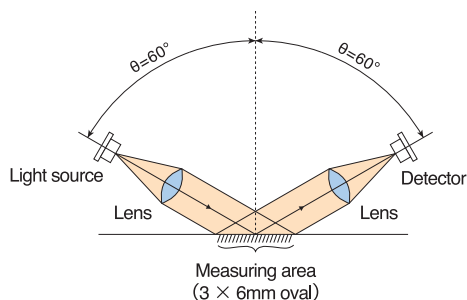
Specification

Measuring system	60°
Measuring area	3×6mm oval
Light source (Service life)	LED<890nm> (Indefinite)
Detector	SPD<890nm> (Silicon photodiode)
Measuring range (resolution)	range1 : 0.0~100.0 (0.1) range2 : 0~1000 (1)
Repeatability	±1% F.S.
Power source (Battery life)	R6(AA) Alkaline × 4 (200 hours or more at continuous operation)
Ambient temperature range	10-40°C
Dimensions	Main body : 75(W)×34(D)×140(H) mm 5.5(W)×3.0(D)×1.3(H) in Optical system : 88(W)×30(D)×45(H) mm 3.5(W)×1.2(D)×1.8(H) in
Mass	Approx. 350g (including battery)
Additional functions	Automatic calibration Automatic power cut-off Overrange display Display hold
Accessories	Standard plate for range 100, 1000 AA battery (LRb) Instruction Manual Lense cloth

A measurement standard for the gloss value

Gloss value 100 is defined as specular reflectance in incident angle θ of the glass of reflectance index 1.567. With incident angle $\theta = 60^\circ$, specular reflectance is 10%, or gloss value 100. Consequently gloss in specular reflectance 100% is calculated as 1000. Reflectance in many polished metals is 50% or more, some are 90% or more. Then measurement range is expanded up to 1000 in IG-410.

※ I adopt IR LED (an HORIBA original method) in a source of light.



Award of Certification

ISO 14001 JQA-E-90039 (Head Office/Factory)
ISO 9001 JQA-Q298



Please read the operation manual before using this product to assure safe and proper handling of the product.

- The contents of this catalog are subject to change without prior notice, and without any subsequent liability to this company.
- The color of the actual products may differ from the color pictured in this catalog due to printing limitations.
- It is strictly forbidden to copy the content of this catalog in part or in full.
- All brand names, product names and service names in this catalog are trademarks or registered trademarks of their respective companies.

<http://www.horiba.com> e-mail: info@horiba.co.jp

● HORIBA, Ltd.

Head Office
2 Miyahigashi, Kisshoin
Minami-ku, Kyoto, Japan
Phone: 81 (75) 313-8123
Fax: 81 (75) 321-5725

Tokyo Sales Office

1-7-8 Higashi-Kanda
Chiyoda-ku, Tokyo, Japan
Phone: 81 (3) 3861-8231
Fax: 81 (3) 3861-8259

● HORIBA TRADING (SHANGHAI) CO., Ltd.

Shanghai Office
Room 1701, United Plaza,
1468 Nanjing Rd. West,
Shanghai, 200040, China
Phone: 21-6289-6060
Fax: 21-6289-5553

Beijing Office

Room 1801, Capital Tower Beijing,
Tower 1 No.6Jia, Jianguomenwai Ave.,
Chaoyang District, Beijing,
100022 China
Phone: 10-8567-9966
Fax: 10-8567-9066

● HORIBA KOREA Ltd.

112-6 Sogong-Dong
Choong-ku, Seoul, Korea
Phone: 82 (2) 753-7911
Fax: 82 (2) 756-4972

● HORIBA INSTRUMENTS Pte. LTD.

10 Ubi Crescent
#05-11/12, Ubi Techpark
Singapore 408564
Phone: 65 6745-8300
Fax: 65 6745-8155

● HORIBA India Private Limited

Delhi Office
1212A, Hemkunt Tower,
98 Nehru Place,
New Delhi - 110019 INDIA
Phone: +91 11-4669-5001/5002

Pune Office

502, Purushottam Plaza,
Baner Road, Baner,
Pune - 411045 INDIA
Phone: +91 20-2729-1121

● HORIBA INSTRUMENTS INCORPORATED

Irvine Facility
17671 Armstrong Avenue
Irvine, CA 92614, U.S.A.
Phone: 1 (949) 250-4811
Fax: 1 (949) 250-0924

● HORIBA INSTRUMENTS LIMITED

Kyoto Close
Summerhouse Road
Moulton Park, Northampton
NN3 6FL, U.K.
Phone: 44 (1604) 542500
Fax: 44 (1604) 542699

● HORIBA GmbH

Kaplanstrasse 5
A-3430 Tulln,
Austria
Phone: 43 (2272) 65225
Fax: 43 (2272) 65230

HORIBA CZECHIA

Organizacni slozka Praha
Petrohradská 13
CZ-101 00 Praha 10,
Czech Republic
Phone: 420 (2) 717-464-80
Fax: 420 (2) 717-470-64

● HORIBA EUROPE GmbH

Head Office
Hans-Mess-Str.6
D-61440 Oberursel/Ts.
Germany
Phone: 49 (6172) 1396-0
Fax: 49 (6172) 137385

Leichlingen Facility

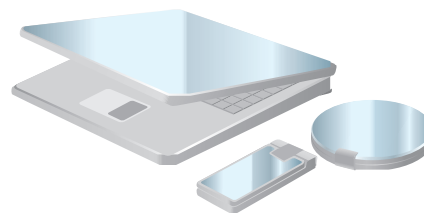
Julius-kronenberg Strasse
D-42799 Leichlingen
Germany
Phone: 49 (2175) 8978-0
Fax: 49 (2175) 8978-50

● HORIBA FRANCE

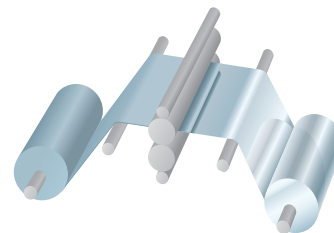
12, Avenue des Tropiques
91955 LES ULIS
France
Phone: 33 (1) 69-29-96-23
Fax: 33 (1) 69-29-95-77

Bulletin:HRE-3315B

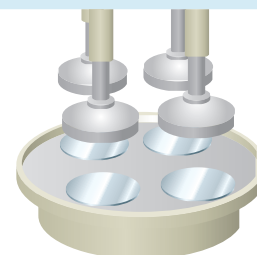
Application



For external confirmation of plating product.



For finish confirmation of rolling metals.



For Research and Development of wafer polishing devices.

Printed in Japan T-TF(SK)23