

## partica LA-950 Accessory “MiniFlow” Small Volume Circulation System

Minimize sample and dispersant volume requirements with all the convenience of a fully-automated circulation system.

### Quick, Accurate Operation:

*The navigation function documents the automatic measurement procedure.*

### High Performance without Compromise:

*The software controls all sequences such as fill, rinse and drain just like the normal flow system. No manual operation is required! Exchange the MiniFlow system with the regular flow cell in seconds, without any tools.*

### Easy Maintenance:

*The measurement cell is easily removed for cleaning.*



### Unique Features

- Minimizes sample dispersant volume requirements.
- Permits use of any organic solvent.
- Built-in ultrasonic probe available for dispersing agglomerated materials.
- Auto-fill pump and auto-drain are standard features.
- Normal operation from the PC software.
- LA-950 Method Expert software compatible.



### Potential Applications

- ◆ Limited or precious sample applications.
- ◆ Any sample requiring organic solvent dispersion.
- ◆ Oil dispersions of pigments, polymers and resin products.
- ◆ Sample handling systems to minimize operator exposure.
- ◆ Minimize hazardous solvent use to limit waste disposal.

# Partica LA-950 Accessory "MiniFlow"

## Specifications

Measurement range: 0.01~1000  $\mu\text{m}$

Measurement time: Approximately 60 seconds from filling and measurement to rinsing.

Measurement method: Circulation system with the flow cell.

Sample amount: Approximately 0.2 mg~1.0 g (Depending on the sample's particle size and density.)

Dispersing liquid volume: 35~55 ml

Circulation System Details:

- ◆ Ultrasonic probe: 40kHz, 7 steps of power control, Titanium alloy.
- ◆ Centrifugal pump: 15 steps of speed control
- ◆ Auto-fill pump: Teflon diaphragm pump
- ◆ Other materials contact in fluids: Tempax glass, SUS316, Titanium alloy (Ultrasonic probe), Teflon, Perfluoro Elastomers

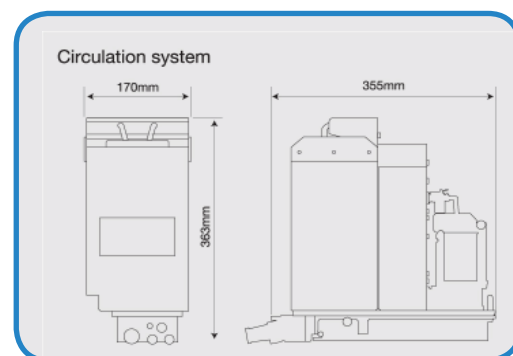
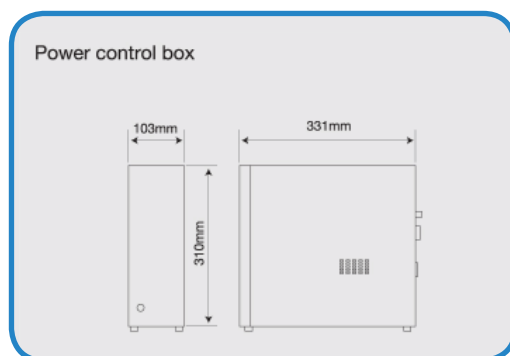
Operational environment condition

Temperature: 15~35°C

Relative humidity: 85% or less, no condensation.

Power supply: 120V AC $\pm$ 10% or 230V AC $\pm$ 10%, AC 50/60Hz $\pm$ 1%, 120VA

## External dimensions



labinfo@horiba.com  
www.horiba.com/particle

USA: (800) 446-7422

France: +33 (0)1 64 54 13 00

Japan: +81 (0)3 38618231